

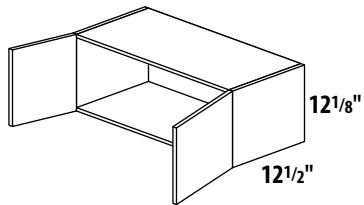
CABINET WIDTH	CABINET CODE	DOOR CODE (QTY)
---------------	--------------	-----------------

12" HIGH DOUBLE DOOR WALL CABINETS

CABINET FEATURES:

- no shelves
- 110° hinges
- designed for use over sinks, refrigerators or stoves

30"	W3012	F3012 (1)
33"	W3312	F3312 (1)
36"	W3612	F3612 (1)



**CABINET
WIDTH**

CABINET CODE

**DOOR CODE
(QTY)**

12" HIGH DOUBLE DOOR WALL CABINETS – 24" DEEP

CABINET FEATURES:

- no shelves
- 110° hinges
- designed for use over refrigerators

30"

W3012-24

F3012 (1)

33"

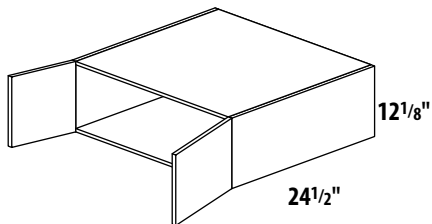
W3312-24

F3312 (1)

36"

W3612-24

F3612 (1)



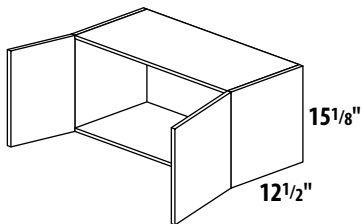
CABINET WIDTH	CABINET CODE	DOOR CODE (QTY)
---------------	--------------	-----------------

15" HIGH DOUBLE DOOR WALL CABINETS

CABINET FEATURES:

- no shelves
- 110° hinges
- designed for use over sinks, refrigerators, stoves or above microwave shelves

24"	W2415	F24 (1)
27"	W2715	F27 (1)
30"	W3015	F30 (1)
33"	W3315	F33 (1)
36"	W3615	F36 (1)



**CABINET
WIDTH**

CABINET CODE

**DOOR CODE
(QTY)**

15" HIGH DOUBLE DOOR WALL CABINETS – 24" DEEP

CABINET FEATURES:

- no shelves
- 110° hinges
- designed for use over refrigerators

30"

W3015-24

F30 (1)

33"

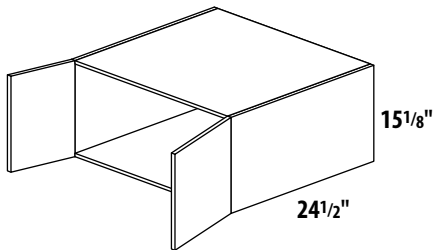
W3315-24

F33 (1)

36"

W3615-24

F36 (1)



**CABINET
WIDTH**

CABINET CODE

**DOOR CODE
(QTY)**

19" HIGH DOUBLE DOOR WALL CABINETS

CABINET FEATURES:

- no shelves
- 110° hinges
- designed for use over sinks or stoves

30"

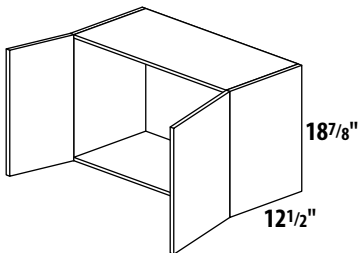
W3019

S3019 (1)

36"

W3619

S3619 (1)



**CABINET
WIDTH**

CABINET CODE

**DOOR CODE
(QTY)**

25" HIGH DOUBLE DOOR WALL CABINETS

CABINET FEATURES:

- two adjustable shelves
- 110° hinges
- two-piece back panel

30"

W3025

K15 (2)

33"

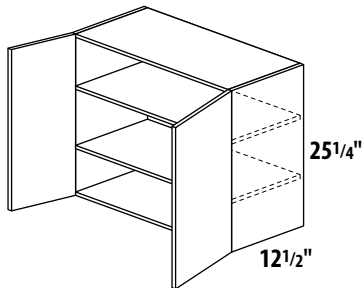
W3325

K16 (2)

36"

W3625

K18 (2)



**CABINET
WIDTH**

CABINET CODE

**DOOR CODE
(QTY)**

25" HIGH DOUBLE DOOR WALL CABINETS – 24" DEEP

CABINET FEATURES:

- two adjustable shelves
- 110° hinges
- two-piece back panel
- designed for use over refrigerators

33"

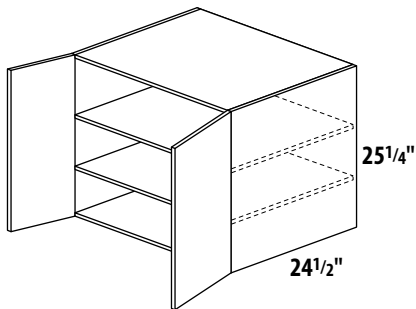
W3325-24

K16 (2)

36"

W3625-24

K18 (2)



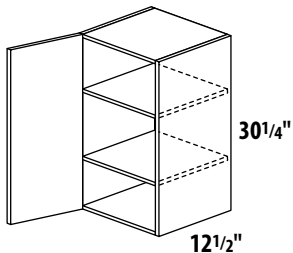
CABINET WIDTH	CABINET CODE	DOOR CODE (QTY)
---------------	--------------	-----------------

30" HIGH SINGLE DOOR WALL CABINETS

CABINET FEATURES:

- two adjustable shelves
- 110° hinges

9"	W0930	H09 (1)
12"	W1230	H12 (1)
15"	W1530	H15 (1)
18"	W1830	H18 (1)
21"	W2130	H21 (1)



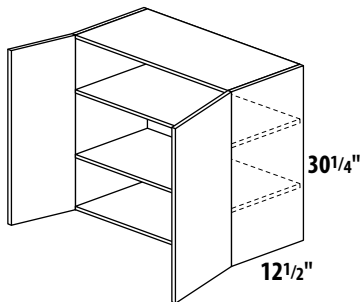
CABINET WIDTH	CABINET CODE	DOOR CODE (QTY)
---------------	--------------	-----------------

30" HIGH DOUBLE DOOR WALL CABINETS

CABINET FEATURES:

- two adjustable shelves
- 110° hinges
- two-piece back panel

24"	W2430-2	H12 (2)
27"	W2730	H13 (2)
30"	W3030	H15 (2)
33"	W3330	H16 (2)
36"	W3630	H18 (2)



**CABINET
WIDTH**

CABINET CODE

**DOOR CODE
(QTY)**

30" HIGH BLIND CORNER WALL CABINETS

CABINET FEATURES:

- cabinets will fit space 25" to 29" wide
- two adjustable shelves
- 90° hinges
- door hinges on blind side
- cabinet is shown blind right
- two-piece back panel
- 20-20 user codes:
WB2430 & WB2730

24"

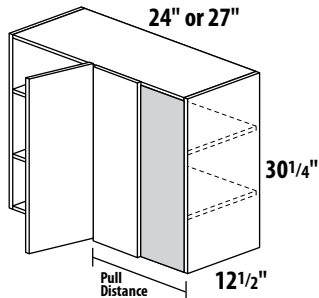
W2430-2 + BKIT30 (1)

H12 (1)

27"

W2730 + BKIT30 (1)

H12 (1)



**CABINET
WIDTH**

CABINET CODE

**DOOR CODE
(QTY)**

30" HIGH CORNER EASY REACH WALL CABINETS

CABINET FEATURES:

- two adjustable shelves
- door hinges to cabinet with 170° hinges
- 70° hinges are used to attach doors together
- 5/8" back panel
- for WE2130, allow 21" each wall
- for WE2430, allow 24" each wall

21"

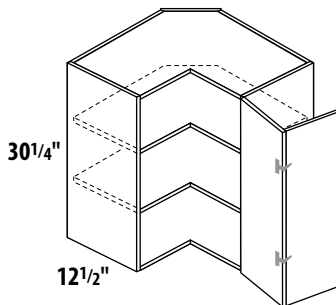
WE2130

E08

24"

WE2430

E11



**CABINET
WIDTH**

CABINET CODE

**DOOR CODE
(QTY)**

25" HIGH CORNER WALL CABINET – 12" DEEP

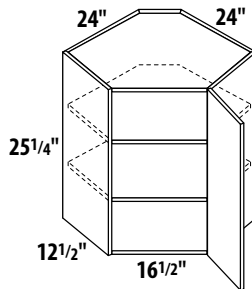
CABINET FEATURES:

- two adjustable shelves
- 45° hinges
- 5/8" back panel
- allow 24" each wall

24"

WA2425

H16 (1)



**CABINET
WIDTH**

CABINET CODE

**DOOR CODE
(QTY)**

30" HIGH CORNER WALL CABINET – 12" DEEP

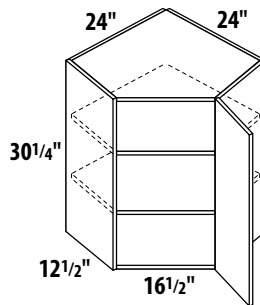
CABINET FEATURES:

- two adjustable shelves
- 45° hinges
- 5/8" back panel
- allow 24" each wall

24"

WA2430

H16 (1)



**CABINET
WIDTH**

CABINET CODE

**DOOR CODE
(QTY)**

30" HIGH CORNER WALL CABINET – 15" DEEP

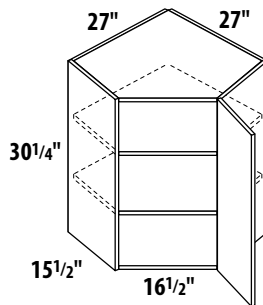
CABINET FEATURES:

- two adjustable shelves
- 45° hinges
- 5/8" back panel
- allow 27" each wall

27"

WA2730-15

H16 (1)



**CABINET
WIDTH**

CABINET CODE

**DOOR CODE
(QTY)**

30" HIGH DIAGONAL WALL END CABINET

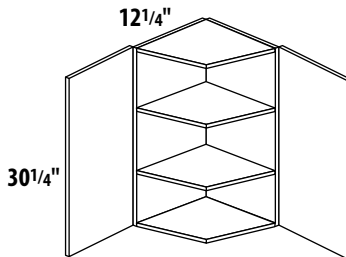
CABINET FEATURES:

- two fixed shelves
- 30° hinges
- 5/8" back panel

12"

WDE1230

H09 (2)



**CABINET
WIDTH**

CABINET CODE

**DOOR CODE
(QTY)**

40" HIGH DIAGONAL WALL END CABINET

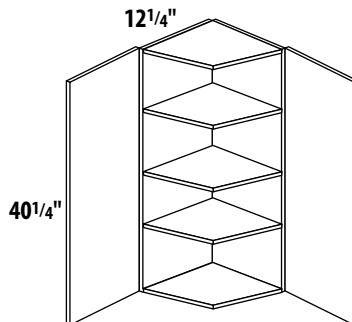
CABINET FEATURES:

- three fixed shelves
- 30° hinges
- 5/8" back panel

12"

WDE1240

T09 (2)



CABINET WIDTH	CABINET SIDE PACK	CABINET SHELF PACK	CABINET DOOR PACK(S)
---------------	-------------------	--------------------	----------------------

40" HIGH SINGLE DOOR WALL CABINETS

CABINET FEATURES:

- three adjustable shelves
- 110° hinges
- two-piece back panel
- 20-20 user codes:

W0940

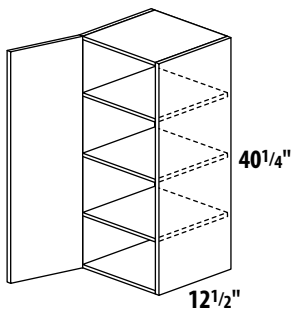
W1240

W1540

W1840

W2140

9"	TE4012	W0940X	T09 (1)
12"	TE4012	W1240X	T12 (1)
15"	TE4012	W1540X	T15 (1)
18"	TE4012	W1840X	T18 (1)
21"	TE4012	W2140X	T21 (1)



CABINET WIDTH	CABINET SIDE PACK	CABINET SHELF PACK	CABINET DOOR PACK(S)
---------------	-------------------	--------------------	----------------------

40" HIGH DOUBLE DOOR WALL CABINETS

CABINET FEATURES:

- three adjustable shelves
- 110° hinges
- two-piece back panel
- 20-20 user codes:

W2440-2

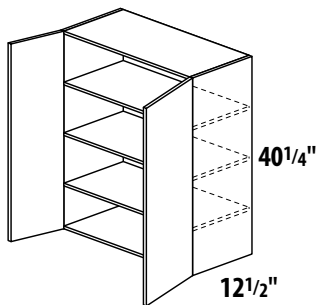
W2740

W3040

W3340

W3640

24"	TE4012	W2440X	T12 (2)
27"	TE4012	W2740X	T13 (2)
30"	TE4012	W3040X	T15 (2)
33"	TE4012	W3340X	T16 (2)
36"	TE4012	W3640X	T18 (2)



CABINET WIDTH	CABINET SIDE PACK	CABINET SHELF PACK	CABINET DOOR PACK(S)
---------------	-------------------	--------------------	----------------------

40" HIGH BLIND CORNER WALL CABINET

CABINET FEATURES:

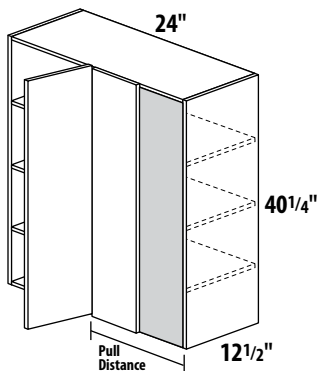
- three adjustable shelves
- 90° hinges
- door hinges from blind side
- cabinet is shown blind right
- 20-20 user code: **WB2440**

24"

TE4012

W2440X

T12+BKIT40



CABINET WIDTH	CABINET SIDE PACK	CABINET SHELF PACK	CABINET DOOR PACK(S)
---------------	-------------------	--------------------	----------------------

40" HIGH CORNER WALL CABINET – 12" DEEP

CABINET FEATURES:

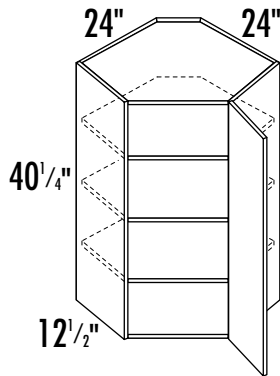
- three adjustable shelves
- 45° hinges
- 5/8" back panel
- allow 24" each wall
- 20-20 user code:
WA2440

24"

TE4012

WA2440X

T16 (1)



CABINET WIDTH	CABINET SIDE PACK	CABINET SHELF PACK	CABINET DOOR PACK(S)
---------------	-------------------	--------------------	----------------------

40" HIGH CORNER WALL CABINET – 15" DEEP

CABINET FEATURES:

- three adjustable shelves
- 45° hinges
- 5/8" back panel
- allow 27" each wall
- 20-20 user code:
WA2740-15

24"

TE4012

WA2740-15X

T16 (1)

