

**CABINET
WIDTH**

CABINET CODE

**DOOR CODE
(QTY)**

SINGLE DOOR / SINGLE DRAWER BASE CABINETS

CABINET FEATURES:

- one adjustable shelf
- 110° hinges

12"

B12

D12 (1)

15"

B15

D15 (1)

18"

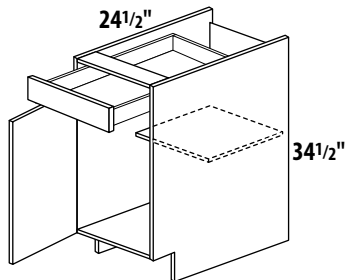
B18

D18 (1)

21"

B21

D21 (1)



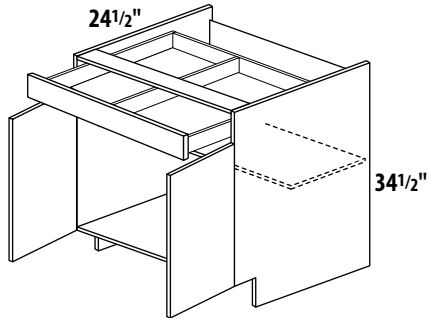
CABINET WIDTH	CABINET CODE	DOOR CODE (QTY)
---------------	--------------	-----------------

DOUBLE DOOR / SINGLE DRAWER BASE CABINETS

CABINET FEATURES:

- one adjustable shelf
- 110° hinges

24"	B24-2	D24-2 (1)
27"	B27	D27 (1)
30"	B30	D30 (1)
33"	B33	D33 (1)
36"	B36	D36 (1)



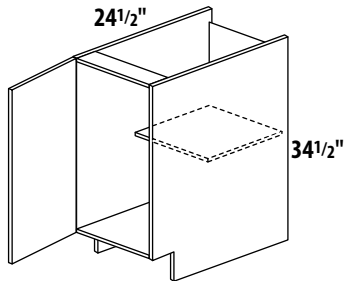
CABINET WIDTH	CABINET CODE	DOOR CODE (QTY)
---------------	--------------	-----------------

FULL HEIGHT SINGLE DOOR BASE CABINETS

CABINET FEATURES:

- one adjustable shelf
- 110° hinges

9"	BH09	H09 (1)
12"	BH12	H12 (1)
15"	BH15	H15 (1)
18"	BH18	H18 (1)
21"	BH21	H21 (1)



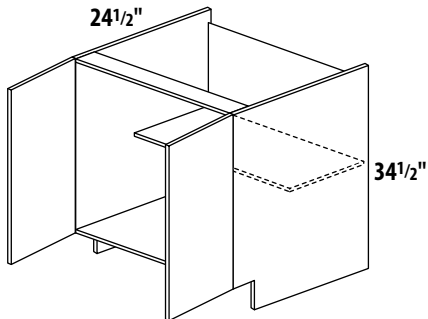
CABINET WIDTH	CABINET CODE	DOOR CODE (QTY)
---------------	--------------	-----------------

FULL HEIGHT DOUBLE DOOR BASE CABINETS

CABINET FEATURES:

- one adjustable shelf
- 110° hinges

24"	BH24-2	H12 (2)
27"	BH27	H13 (2)
30"	BH30	H15 (2)
33"	BH33	H16 (2)
36"	BH36	H18 (2)



**CABINET
WIDTH**

CABINET CODE

**DOOR CODE
(QTY)**

DOUBLE DOOR SINK BASE CABINETS

CABINET FEATURES:

- no shelf or back panel
- 110° hinges
- 5" high false front

27"

SB27

D27 (1)

30"

SB30

D30 (1)

33"

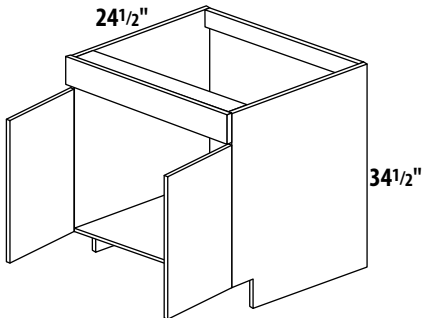
SB33

D33 (1)

36"

SB36

D36 (1)



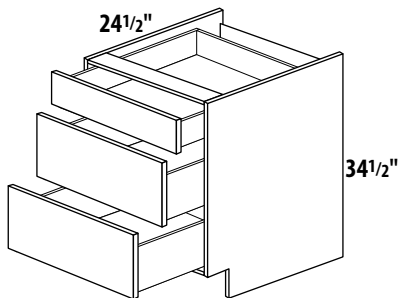
CABINET WIDTH	CABINET CODE	DOOR CODE (QTY)
---------------	--------------	-----------------

THREE DRAWER BASE CABINETS

CABINET FEATURES:

- top facing is 5" high
- two bottom facings are 12⁵/₈" high

12"	DB12-3	Q12 (1)
15"	DB15-3	Q15 (1)
18"	DB18-3	Q18 (1)
24"	DB24-3	Q24 (1)
30"	DB30-3	Q30 (1)



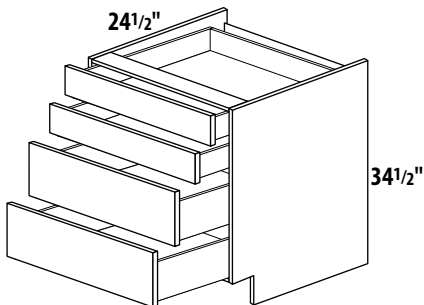
CABINET WIDTH	CABINET CODE	DOOR CODE (QTY)
---------------	--------------	-----------------

FOUR DRAWER BASE CABINETS

CABINET FEATURES:

- two top facings are 5" high
- two bottom facings are 10 $\frac{1}{8}$ " high

12"	DB12-4	R12 (1)
15"	DB15-4	R15 (1)
18"	DB18-4	R18 (1)
24"	DB24-4	R24 (1)



CABINET
WIDTH

CABINET CODE

DOOR CODE
(QTY)

BLIND CORNER BASE CABINET WITH SINGLE DOOR / SINGLE DRAWER

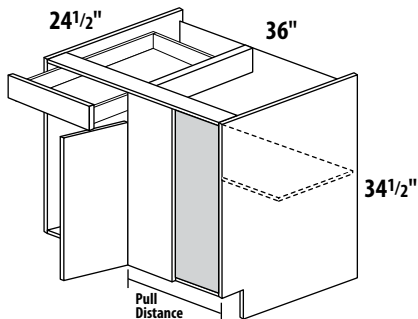
CABINET FEATURES:

- cabinet will fit space 45" to 47" wide
- one adjustable shelf
- 90° hinges
- door hinges on blind side
- cabinet is shown blind right
- 20-20 user code: **BB45**

36"

BB45 + BKIT30 (1)

D18 (1)



CABINET
WIDTH

CABINET CODE

DOOR CODE
(QTY)

BLIND CORNER BASE CABINET WITH SINGLE FULL HEIGHT DOOR

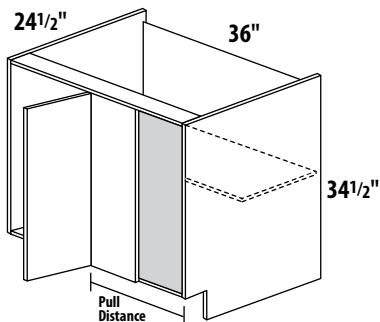
CABINET FEATURES:

- cabinet will fit space 39" to 41" wide
- one adjustable shelf
- 90° hinges
- door hinges on blind side
- cabinet is shown blind right
- 20-20 user code: **BBH39**

36"

BH36 + BKIT30 (1)

H12 (1)



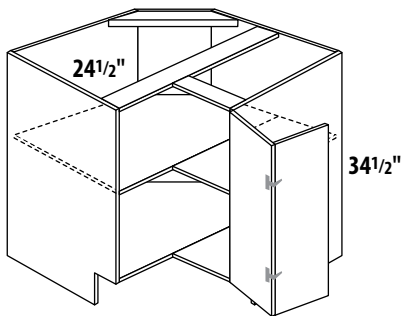
CABINET WIDTH	CABINET CODE	DOOR CODE (QTY)
---------------	--------------	-----------------

BASE EASY REACH CORNER CABINETS

CABINET FEATURES:

- one adjustable shelf
- $\frac{5}{8}$ " back panel
- door hinges to cabinet with 170° hinges
- 70° hinges are used to attach doors together
- optional lazy susan unit is available

33"	BE33	E08 (1)
36"	BE36	E11 (1)

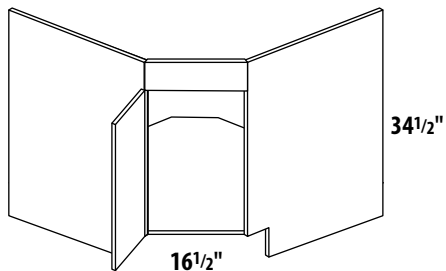


CABINET WIDTH	CABINET CODE	DOOR CODE (QTY)
36"	SBA36	D16 (1)

ANGLED CORNER SINK BASE CABINET

CABINET FEATURES:

- 5" high false front
- no back panel
- 45° hinges
- includes pedestal support



CABINET WIDTH	CABINET CODE	DOOR CODE (QTY)
---------------	--------------	-----------------

ANGLED CORNER SINK BASE CABINET WITH FULL HEIGHT DOOR

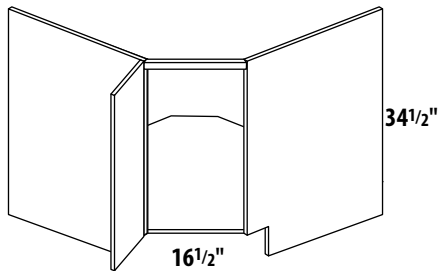
CABINET FEATURES:

- no back panel
- 45° hinges
- includes pedestal support

36"

SBAH36

H16 (1)



**CABINET
WIDTH**

CABINET CODE

**DOOR CODE
(QTY)**

TRANSITIONAL BASE END CABINETS WITH SINGLE DOORS

CABINET FEATURES:

- one adjustable shelf
- $\frac{5}{8}$ " back panel
- 45° hinges
- specify hinging left or right
- cabinet shown hinged left

12"

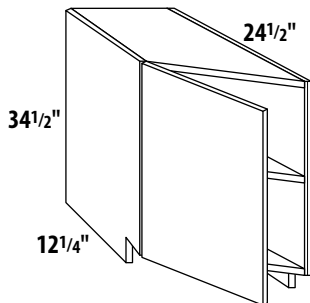
BDES12L

H16 (1)

12"

BDES12R

H16 (1)



**CABINET
WIDTH**

CABINET CODE

**DOOR CODE
(QTY)**

TRANSITIONAL BASE END CABINET WITH DOUBLE DOORS

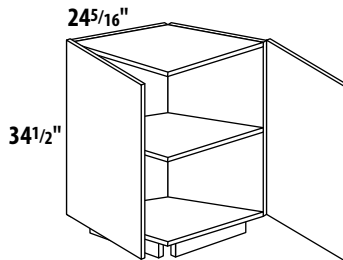
CABINET FEATURES:

- one fixed shelf
- 5/8" back panel
- 30° hinges

24"

BDE24

H18 (2)



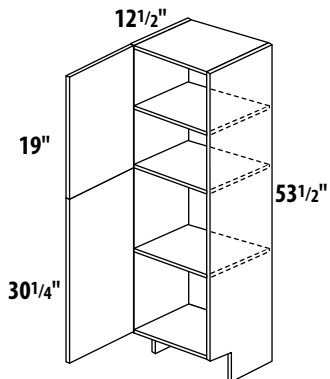
CABINET WIDTH	CABINET CODE	DOOR CODE (QTY)
18"	PW1854	H18 + S1819

54" HIGH STACKABLE SHALLOW BASE CABINET –

12½" DEEP

CABINET FEATURES:

- three adjustable shelves
- 110° hinges
- stack an 18" wide wall cabinet onto this base cabinet to create a 12" deep pantry cabinet



**CABINET
WIDTH**

CABINET CODE

**DOOR CODE
(QTY)**

30" HIGH DESK DRAWER BANK BASE CABINETS

CABINET FEATURES:

- top drawer facing is 5" high
- two bottom facings are 10 $\frac{1}{8}$ " high
- toe kick is included
- toe kick is 5 $\frac{1}{4}$ " high
- drawers have metal sides
- top drawer is 20" deep
- two bottom drawers are each 16" deep

12"

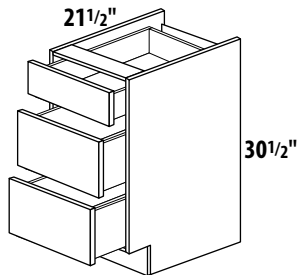
DV1221-3

UNIPACK

15"

DV1521-3

UNIPACK



CABINET WIDTH	CABINET CODE	DOOR CODE (QTY)
30"	VKD3021	UNIPACK

5" HIGH DESK KNEE HOLE DRAWER

CABINET FEATURES:

- drawer is 19 $\frac{3}{4}$ " deep
- drawer has metal sides
- must be installed between two cabinets, or between one cabinet and a desk panel

