

MasterBrand Installation Guide

C a b i n e t s, I n c.

Tools Required for Installation:

- Saw
- Hammer
- Variable Speed Drill
- Level
- Chalk Line
- Two Padded “C” Clamps
- Screwdriver
- Tape Measure
- Square
- Safety Glasses

Materials Recommended for Installation:

- Plaster Patch
- Angle Brackets
- Finishing Nails
- Cup Washers
- Magnetic Stud Finder
- Wood Shims
- Wood Screws (3” long)
- Flathead Screws (1 1/8” long)

Step One — Preparation & Layout

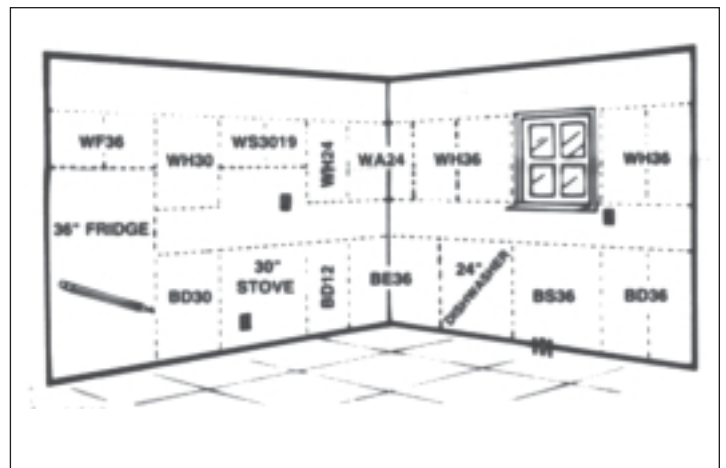
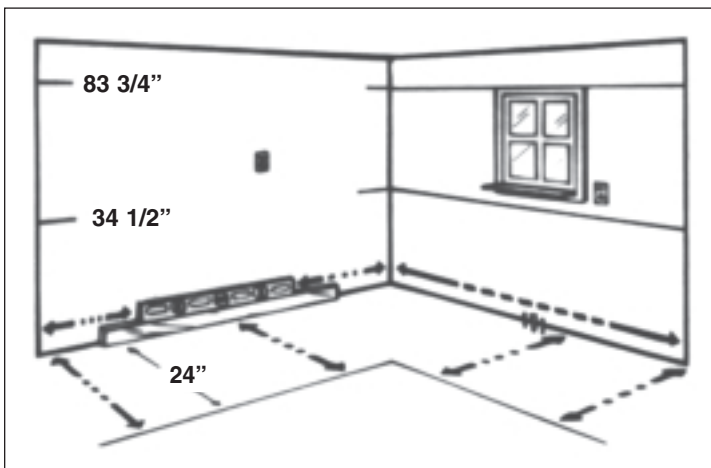
Locate the high point in the floor by placing a straight edge or 2x4 close to the middle of one of the walls you will be installing your cabinets on. A minimum six foot straight edge must be used. Only use a 2x4 if you are sure it is absolutely straight.

Put your level on top of the straight edge and move it back and forth in front of each wall. Repeat 24 inches away from the wall and anywhere in between until you find the floor’s high point. From this high point, measure up the wall marking the top line of your base cabinets (34-1/2”) and the top line of your wall cabinets (83-3/4”).

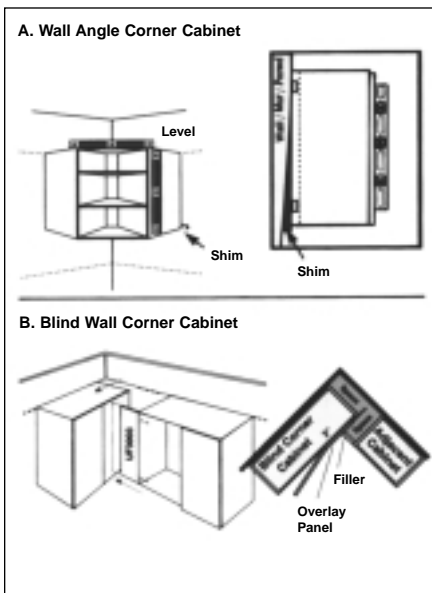
NOTE: If you are using 40” high wall cabinets, mark the top line of your wall cabinets at 93 3/4”

Mark the outline of all cabinets on the wall to confirm cabinet fit.

Locate the wall studs with a magnetic stud finder, or by making small holes in the wall with a finishing nail. Mark the center of the wall studs at the top and bottom of the cabinet position. Most wall studs are located 16 inches apart.



Step Two — Installing Wall Cabinets



- A.** Begin installation with the corner wall cabinet. Pre-drill the cabinet (through the top and bottom rail) to line up with the wall studs.

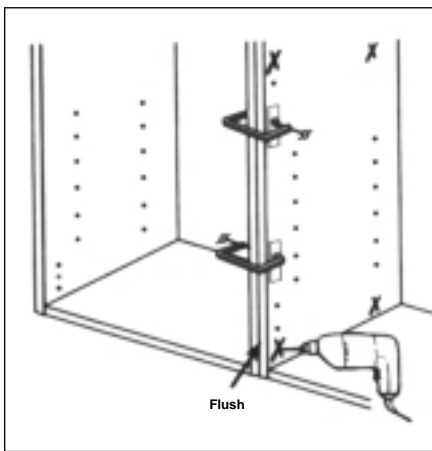
Fasten the corner cabinet loosely to the wall with 3 inch wood screws. Shim the cabinet as required to make it square and level. Make sure the cabinet is perfectly plumb and level before tightening the screws. Don't worry about any gaps created by shims, these can be closed at the end of the cabinet run using a filler strip or moulding.

- B.** If you are installing a blind wall corner cabinet, make sure that it is pulled out from the corner to the distance called for on your floor plan.

To turn the corner, attach a filler strip (UF3003-trimmed to fit) using 1-1/2 inch screws to the side of the adjacent cabinet, working from the inside of the cabinet.

Complete Blind Cabinet information is included with the assembly instructions for the unit.

Step Three — Connecting Wall Cabinets



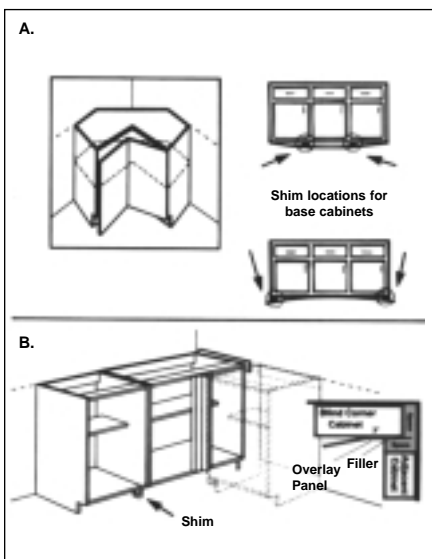
Pre-drill the back of the adjoining cabinet through the hanging rails to line up with the wall studs. Position the adjoining cabinet in place, ensuring that the front edges of both cabinets are flush.

NOTE: The WDE1230 and BDE24 cabinets are installed so that they are flush at the back with their adjacent cabinets, not the front. Clamp the cabinets together using "C" clamps, and fasten loosely to the wall.

Pre-drill four 1/8" diameter holes through one cabinet in the locations shown with an "X" (stop before penetrating the adjoining cabinet). Secure the cabinets together using 1-1/8" flathead screws and cup washers (not supplied).

Cabinet should be level and plumb to the adjacent cabinet. Shim where necessary, and finish by tightening screws into the wall.

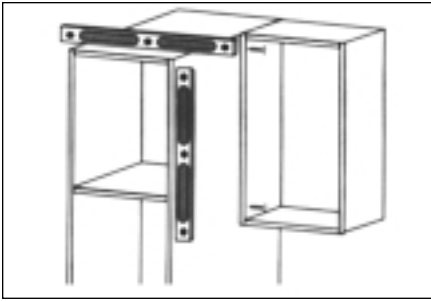
Step Four — Installing Base Cabinets



- A.** Begin by installing the corner cabinets. Align the corner cabinet so that it is level and even with the 34-1/2" line marked on the wall. You may have to shim the bottom of the cabinet. Once the cabinet is in place, pre-drill pilot holes through the back of the cabinet (through the hanging rail). Attach the cabinet loosely to the wall, making sure that you hit the wall studs, and adjust the cabinet to ensure that it is level.

Shim the cabinet as required from behind to keep it square. Tighten the screws.

- B.** If you are installing a blind corner cabinet, pull it out of the corner to the appropriate distance called for in the floor plan. Attach a 1" x 4" board (not supplied) to the wall at the 34-1/2" mark to support the countertop. Attach the adjoining cabinet using the same method as shown in Step 2B (blind corner wall cabinet installation). Remember to shim against the wall and floor to ensure a plumb and level fit.



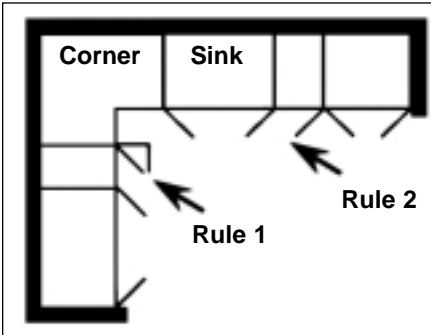
Step Five — Installing Tall/Utility/Oven Cabinets

Set the tall cabinet into position. For 12" deep units, make sure the front edge of the tall cabinet is flush with the adjoining wall cabinet. For 24" deep units, make sure the front edge of the tall cabinet is flush with the front edge of the adjoining base cabinet. Loosely attach the tall cabinet to the wall and the adjoining cabinets. Square and level the cabinets, then tighten the screws.

Step Six — Door mounting and Adjustment

Please refer to your individual cabinet instructions for proper door mounting and adjustments. When trying to determine left or right side door opening for single door cabinets, keep the following two guidelines in mind:

1. Doors on single door cabinets adjacent to corner cabinets should open towards the corner cabinets.
2. Doors on single door cabinets along the sink wall should open away from the sink.

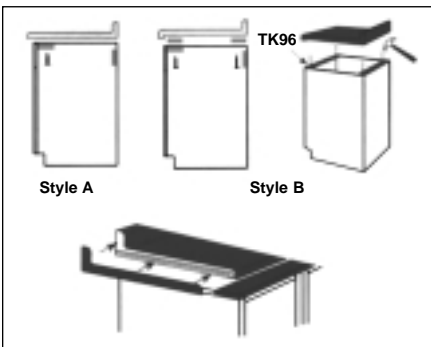


Step Seven — Installing your Countertop

Style A

Countertop with a flush bottom

This style of countertop is ready to install. Make sure the countertop is flush with the back of the wall. Secure the countertop from the inside of the cabinet through the front cross rail.



Style B

Countertop with a 5/8" overhang

This style of countertop must be built up by adding 5/8" thick spacers (use TK96) at the front and back of the cabinets as shown in the illustration. Secure the countertop from the inside of the cabinet through the front cross rail and TK96 at the front, and through the TK96 at the back. This 5/8" build-up allows for proper door and drawer clearance.

NOTE: Countertop end cap must be cut to cover this build-up.

Step Eight — Installing Refrigerator and Dishwasher Panels

Install the panels with angle brackets and screws as shown in the illustration. If your floor is carpeted, it may be necessary to fasten the angle brackets to the floor with #6 x 1" screws (not supplied). Use silicone sealant for a water seal along the toe kick and the edge of the base cabinets.

